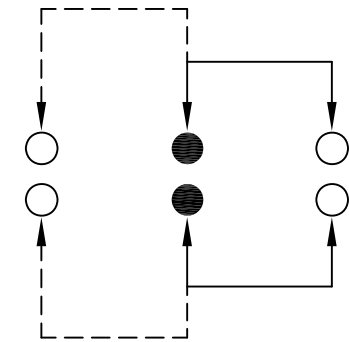
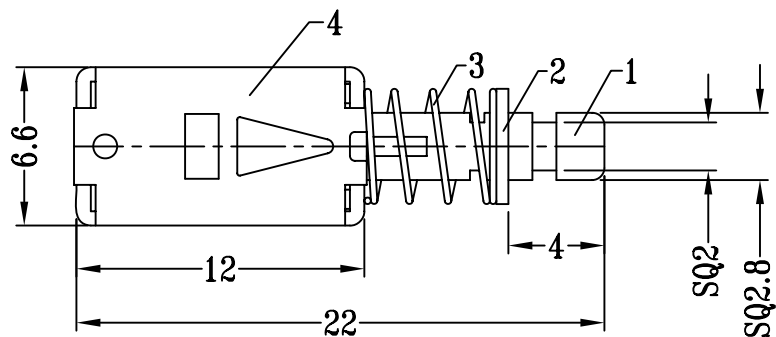
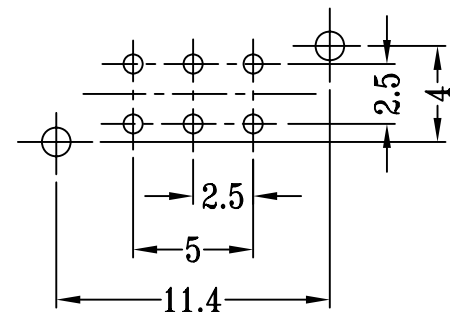
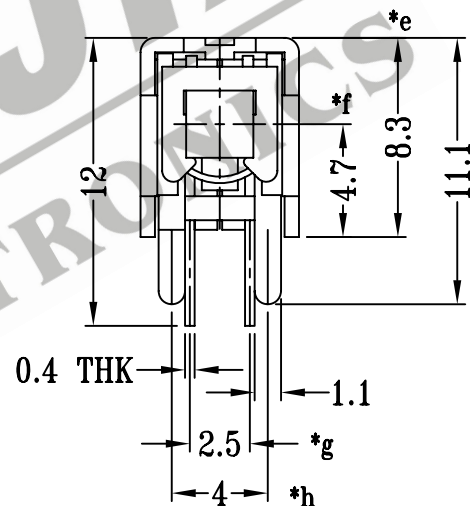
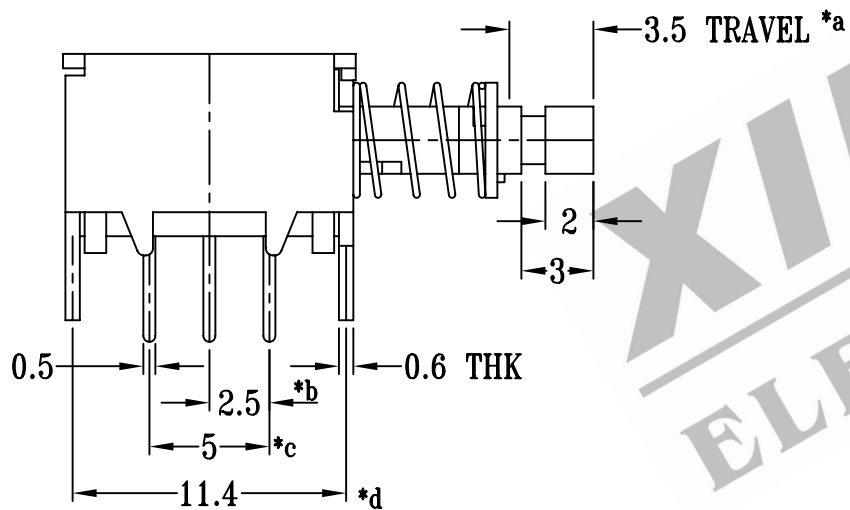


CAD FILE:



SCHMATIC (NON-SHORTING)



P.C.B LAYOUT

注:带\*表示关键尺寸(8个)

8					TOLERANCE	SHENZHEN XIEJIA ELECTRONICS CO.,LTD.			
7	CONTACT CLIP	PBS	2	Ag CLAD	UNLESS SPECIFIED				
6	TERMINAL	BRASS STRIP	6	Ag PLATED OVER Ni PLATED	WITHIN: 1.5±0.1mm				
5	BASE	PHENOLIC RESIN	1	NATURAL	OVER : 1.5±0.2mm	ISSUE	DATE	DESCRIPTIONS	
4	FRAME	STEEL STRIP	1	Ni PLATED	TITLE : PUSH SWITCH	UNIT : MM		DRWG NO.: XJ-DR-PS22E15-00	
3	SPRING	STAINLESS STEEL	1	Ni PLATED	MODEL: PS-22E15	SCALE: 3:1		DWN.	ZHOUYU
2	BLOCK	STEEL STRIP	1	Ni PLATED				CHK'D	FANGYING
1	KNOB	POM	1	YELLOW				APPD.	KANGXINAN
NO.	PART NAME	MATERIAL	Q'TY	FINISHING	ALL MATERIALS MUST BE COMPLIANT TO ROHS				2005-7-14